

ONWA[®]

MODEL KP-1028/1038

COLOR LCD GPS PLOTTER SOUNDER



- High Resolution TFT-LCD display
- Built-in large memory electronic chart
- High accuracy GPS receiver
- Versatile display mode include
 - Plotter screen
 - Echo sounder screen
 - Nav.Data
 - Dual display(Plotter /Echo sounder)
 - Satellite information
- Quick chart drawing speed
- Display of vessel tracks, waypoints and planned route on electronic chart
- Choice of 50KHz or 200KHz 300W echo-sounder (KP-1038)
- Depth data display on Plotter screen (KP-1038)
- 7 color targets presentation (KP-1038)
- Auto Mode for hand-off operation (KP-1038)
- Use of an advanced processor
- Low power consumption

SPECIFICATION OF KP-1028/1038

GPS RECEIVER CHARACTERISTICS

1. Receiver type 12 discrete channels, C/A code all-in-view
2. Receiver Frequency L1(1575.42MHz)
3. Accuracy 10m approx.(95% of the time SA off)
4. Time to first fix 12 seconds typical (warm start)
5. Tracking velocity 900 Knotts

PLOTTER CHARACTERISTICS

1. Display 10.4" color STN-LCD, daylight viewing, 640 X 480 pixels
2. Display Modes Selectable from the following :
 - Full screen plotter mode
 - Full screen steering mode
 - Full satellite information screen
 - Full screen echo sounder mode(KP-838)
 - Dual display mode (plotter + sounder) (KP-838)
3. Projection North-up Mercator
4. Landmass Display Fill in or outline, user selectable
5. Lighthouse Display Blinking, stationary or off
6. Maps Scale Ranges 1/N type ranges : 1/2,000 ~ 1/25,000.000
NM type ranges : 0.1 ~ 1500nm
7. Latitude Limits Between 85 ° N and 85 ° S
8. Plot Interval 5s to 60 mins or 0.01 to 10 nm
9. Memory Capacity Up to 8,000 for ship's track and 4,000 Waypoints
10. Voyage Planning Waypoint Navigation or route navigation
11. Boundaries 7 color groups each consisting of up to 200 points
12. Alarms Anchor watch, Arrival, Boundary, Cross track Error
13. Data I/O NMEA-0183 version 2.0 and RTCM-104
24 hour hh:mm format. Time offset
14. UTC/Local Time Entered manually

ECHO SOUNDER CHARACTERISTICS(KP-1038)

1. Presentation colors 7 colors selectable from analog colors
2. Display Modes Selectable from the following :
 - Full screen display
 - Split screen with mid-water expansion
 - Split screen with bottom expansion
 A-scope display can turn on/off with Each of the above display
3. Frequency 50KHz or 200KHz (Specify when ordering)
4. Screen splitting modes Vertical (default) or horizontal(optional)
5. Basic Range M : 2.5, 5, 10, 15, 20, 30, 40, 50, 80, 100, 150, 200, 300, 500, 1000
FM : 2.5, 5, 10, 15, 20, 30, 40, 50, 80, 100, 150, 200, 300, 500, 1000
BR : 2.5, 5, 10, 15, 20, 30, 40, 50, 80, 100, 150, 200, 300, 500, 1000
FT : 5, 10, 20, 30, 40, 50, 80, 100, 150, 200, 300, 500, 1000, 2000, 3000
6. Phasing (Shift) 1 unit steps from 0 to 999
Meters/fathoms/braccia
7. Picture Advance Freeze, 1/16, 1/8, 1/4, 1/2, 1/1
8. Alarms Depth(Swallow and Deep) and Fish
9. Output Power 300W RMS standard (600W, 1000W option)

ENVIRONMENTAL CONDITIONS

Ambient Temperature 0 to 45 ° C, 95% RH without condensation

POWER SUPPLY

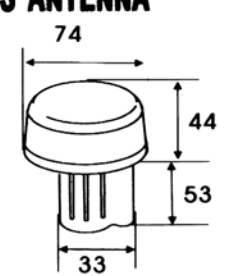
1. Power Requirement 11 to 40 V DC, current drain : 1.0A at 12V (1.2A at 12V for KP-1038) With on-screen readout of power source voltage
2. Battery Alarm Audible and visual, presetable in 0.1V steps

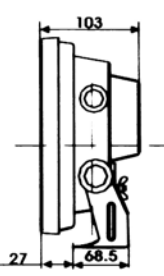
EQUIPMENT LIST

Standard

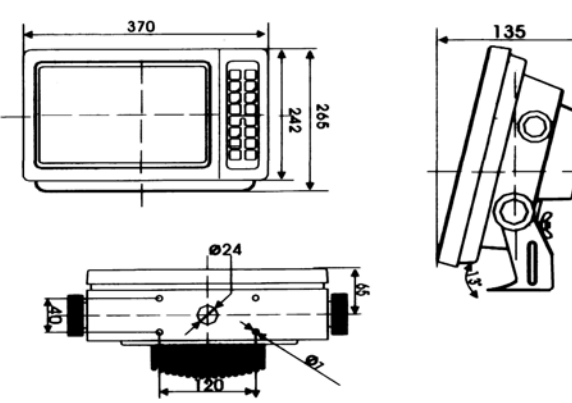
1. Display unit
2. Antenna unit with 10m cable
3. Remote Control
4. Operator manual
5. Installation materials and standard spare parts
6. Bronze transducer (Only for KP-1038)

GPS ANTENNA





DISPLAY UNIT



SPECIFICATIONS SUBJECT TO CHANGE WITHOUT NOTICE

