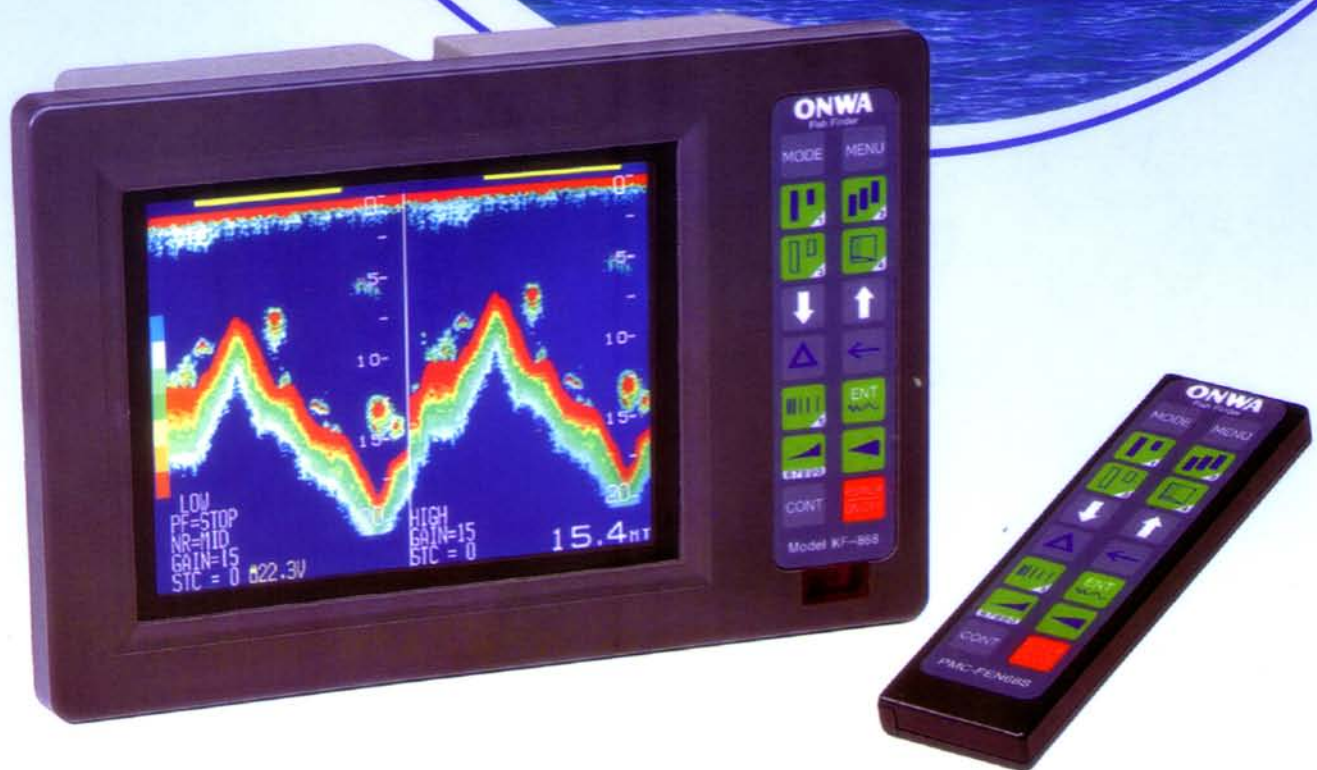


ONWA[®] MODEL KF-868

COLOR LCD FISHFINDER

- Color LCD display with 7-color presentation
- Auto mode for hand off operation
- 600W RMS output power standard, 1KW RMS output power (option)
- Nav data display (nav input required)
- Bottom expansion and mid-water expansion
- A-scope display
- Depth alarm
- Supply voltage monitor



The ONWA KF-868 is a new compact color fishfinder with 50KHz or 200KHz transducer (Specify when ordering). A-scope presentation is also available on any mode so that objects just under the ship are evaluated in echo strength differentials at a glance. There are three types of Zoom functions : Maker Zoom, Bottom Zoom and Bottom-lock Expansion. In Maker Zoom, any depth zone of interest can be enlarged for close observation.

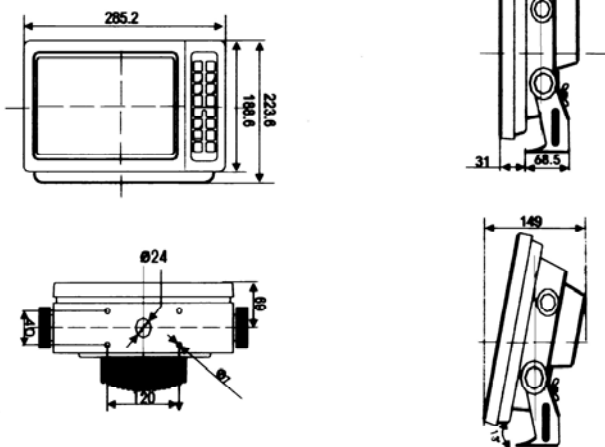
In Bottom Zoom, the marker follows the bottom contour to give a close-up view above the bottom even varying in depth. In Bottom -lock Expansion, the bottom is displayed as a straight line to make fish echoes near the bottom stand out.

The KF-868 has an Auto Mode . This allows "hand-off" operation, by automatically switching depth range and adjusting sensitivity depending on the depth of water.

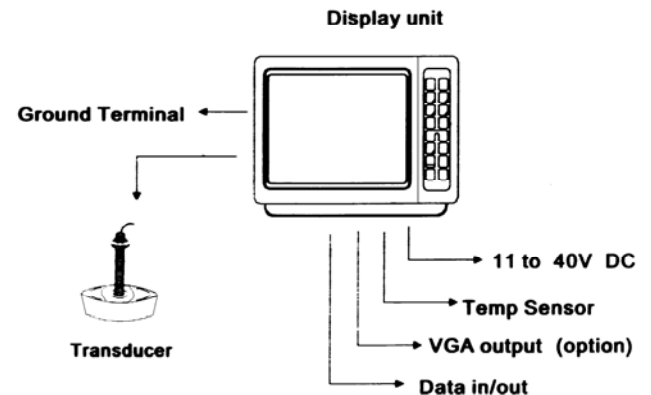
SPECIFICATION OF KF-868

- | | |
|--|---|
| <ol style="list-style-type: none"> 1. Display
8" color STN-LCD, daylight viewing, 640 x 480 pixels 2. Display Modes
Normal view, Maker Zoom, Bottom-Lock, Bottom Zoom, and A-scope 3. Screen Split Modes
Vertical or Horizontal 4. Frequency
50KHz or 200KHz (Specify when ordering) 5. Depth Range
2.5 to 1,000 meters/fathoms/braccia in 15 steps with 1-unit step Shift 6. Expansion Ranges
1.5 to 200 meters/fathoms/braccia in 8 steps 7. Picture advance
1/1, 1/2, 1/4, 1/8, 1/16, freeze 8. Echo Colors
7 out of 10 analog and digital RGB colors 9. Echo Threshold
Up to 5 weak echo colors suppressible | <ol style="list-style-type: none"> 10. I/O Interface
NMEA-0183 11. Output Power
600W RMS standard (1000W RMS optional) 12. Transducer
50 or 200KHz transducer (Specify when ordering) 13. Tansducer Draft
Adjustable in 0.1 unit steps 14. Weight
Display unit approx. 3.2Kgs 15. POWER SUPPLY
11 to 40V DC, approx. 13W 16. ENVIROMENT
0 to 45 °C, 95% RH for cabinet 17. EQUIPMENT LIST(Standard) <ol style="list-style-type: none"> 1. Display unit 2. Bronze Transducer with 10m cable 3. Remote control (option) 4. Operation manual 5. Installation material and standard spare parts |
|--|---|

DISPLAY UNIT



INTERCONNECTION DIAGRAM



SPECIFICATIONS SUBJECT TO CHANGE WITHOUT NOTICE